

MCGRAW-EDISON®



ZD CREDENZA

26 - 57 W

Compact Fluorescent

70 - 1000 W

Metal Halide

High Pressure Sodium

ARCHITECTURAL
AREA LUMINAIRE



In Solid Top Configurations only.

- Spun-aluminum top is finished in premium TGIC polyester powder coat
- Long life core-and-coil HID ballast
- Controlled and fully rotatable optics offer ten (10) distinct beam patterns. Precision hydroformed or premium segmented optical modules available
- Heavy-duty, die-cast aluminum frame is the main load-bearing structure for arm, yoke or spider mountings
- Die-cast aluminum door frame has concealed hinges and is flush with the bottom of the housing
- Thermal shock- and impact-resistant clear tempered flat glass
- Porcelain screw-shell socket fits mogul-base HID lamps. Medium-base lamps are standard for formed optics 150W and below and segmented optics up to 175W
- U.L. listed for wet locations. CSA certified
- Approximate net weight: 64 lbs. (29 kgs.)

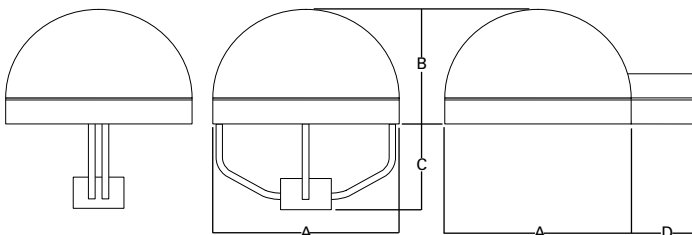
DESCRIPTION

The Credenza series sets the standard in flexibility for architectural area lighting. The Credenza is available in three (3) sizes, so a single look can be carried through diverse areas of a project. Combined with three (3) mounting varieties, MH or HPS lamps, ten (10) optical packages and numerous colors, the Credenza offers unparalleled variety in one family of fixtures. U.L. listed and CSA certified for wet locations.

The Credenza offers features so versatile that it can be used in small areas such as walkways and large areas like parking lots, while maintaining a look of continuity throughout.

DIMENSIONS

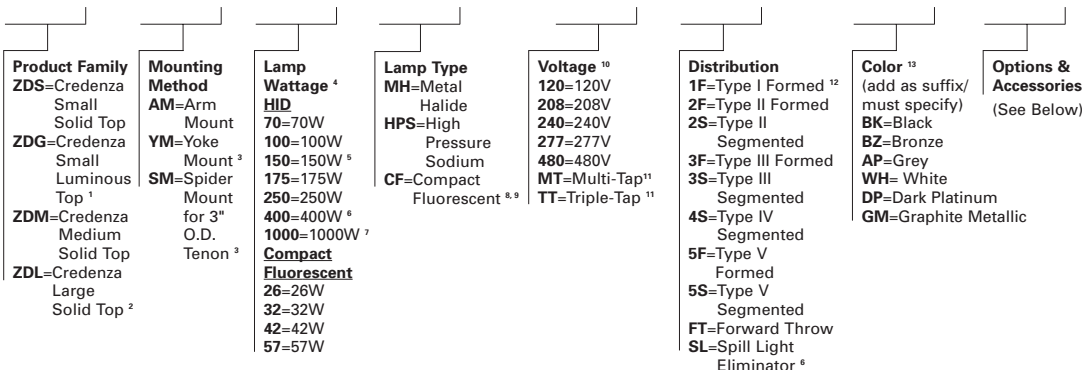
YOKE MOUNT SPIDER MOUNT ARM MOUNT



Fixture	A	B	C	D
ZDS-ZDG	20 1/2" [521mm]	10 1/4" [260mm]	11" [279mm]	6" [152mm]
ZDM	24" [610mm]	12 1/8" [308mm]	12 5/8" [321mm]	7 1/2" [191mm]
ZDL	28" [711mm]	14 1/4" [362mm]	16" [406mm]	9" [229mm]

ORDERING INFORMATION

SAMPLE NUMBER: ZDM-AM-400-MH-MT-5F-BK



E.P.A. ZDS & ZDG: Arm Mount 1.19, Spider & Yoke Mount 1.13 / ZDM: Arm Mount 1.70, Spider & Yoke Mount 1.52
ZDL: Arm Mount 2.36, Spider & Yoke Mount 2.10

Options¹⁴
 F=Single Fuse (120, 277 or 347V)
 FF=Double Fused (208, 240 or 480V)
 P=Button Type Photocontrol (Specify Voltage)
 R=NEMA Twistlock Photocontrol Receptacle
 HS=House-side Shield
 VS=Vandal Shield¹⁵

Accessories¹⁶
 OA/RA1016=NEMA Photocontrol/Multi-Tap—Multi-Tap
 OA/RA1027=NEMA Photocontrol/Multi-Tap—480V
 MA1001XX=Wall Bracket for Solid Top
 MA1003XX=Wall Bracket for Luminous Top¹⁷

NOTES: 1 Segmented optics not available. Available in 120 or 277V only. 2 Segmented optics not available. 3 Requires 4" round straight pole for ZDS. 5" round straight pole for ZDG and ZDM. 6" round straight pole for ZDL. 4 All 70-150W lamps on formed optics and 70-175W lamps on small segmented optics are medium-base, 175-1000W are mogul-base. 5 150W HPS uses S-55 lamp (arc rating of 55V). 6 Must use reduced jacket ED-28 400W lamp when using a segmented optical system in the medium housing. 7 1000W HPS not available in medium housing. Medium housing requires BT-37 lamp for Metal Halide and only available with formed optics. 8 Available in Type III, IV and V distributions in small, solid top housing with segmented optics only. 9 Nominal length not to exceed 7". 10 Product also available in non-US voltages and 50Hz for international markets. Consult factory for availability and ordering information. 11 Multi-Tap ballast is 120/208/240/277V wired 277V. Triple-Tap ballast is 120/277/347V wired 347V. 12 Medium housing fixture only. 13 Other finish colors available, including a full line of RAL color matches. Consult your Cooper Lighting Representative. 14 Add as suffix in the order shown. 15 400W Maximum. 16 Order separately, replace XX with color suffix. 17 Not for use with 250W HPS. 18 Specifications and dimensions subject to change without notice.